

# MISCHIEF WEDDING PACKAGES

---

AHOY CLUB





AHOY CLUB  
WEDDINGS



## HAPPILY EVER AFTER STARTS HERE...

We want your wedding day to be memorable and choosing an Ahoy Club superyacht as your wedding venue will certainly leave an everlasting impression on you and your guests. Nothing sets the mood better than champagne glasses clinking as you sail across Sydney Harbour.

Whether you're dreaming of a formal and classic sit-down format, or a relaxed cocktail affair, we have the perfect yacht and package to suit your ideal wedding day.

# MISCHIEF

**Length:** 54m (177ft)

**Capacity:** 120 guests seated | 200 guests cocktail

Plan your dream wedding on board MISCHIEF – Australia’s most luxurious wedding venue and Australia’s largest, most expressive yacht.

Elevate all expectations and celebrate your wedding day on Sydney’s most prestigious venue, MISCHIEF.

54m (177ft) MISCHIEF is all encompassing of luxury, opulence and glamour with her incredible interiors designed by Blainey North. Imagine muted warm tones and romantic shades of blue, complimented by plush white carpets and Italian marble.

All these features are tastefully accompanied with bespoke pieces from Christofle, Hermes and Sabrina Monte Carlo.



MISCHIEF makes for the perfect venue to host your dream wedding, elevating your guest’s experience to the next level. Whether you are planning a stunning formal sit-down reception up to 120 guests, or a chic cocktail occasion for up to 200 guests, our unique vessel welcomes your guests with contemporary and luxurious finishes coupled with the best views of Sydney.

We know that every wedding is different and every celebration should reflect the individual needs and wants for each couple.



# MAIN DECK.

Style	Capacity
Seated	36 over three tables
Cocktail	Option to remove furniture and add cocktail tables

The main deck is the ideal space for the top table and immediate family seating for up to 36 guests over three king-style tables. This exterior deck can be converted into an enclosed area with the state-of-the-art weatherproof clears for year-round protection.

If your dream wedding is more of a relaxed ambiance than a traditional sit-down meal, then a cocktail style layout is perfect on the main deck with six cocktail tables to replace the existing furniture.



Main deck king table set up

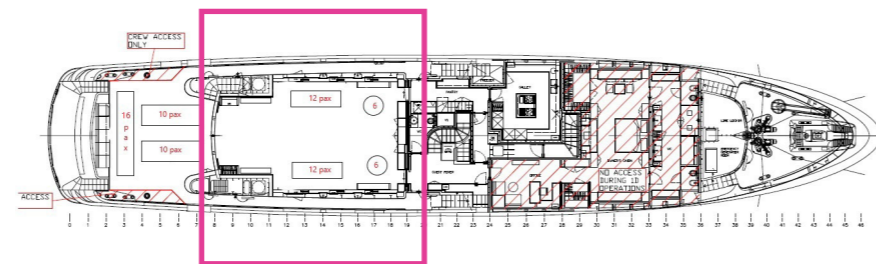
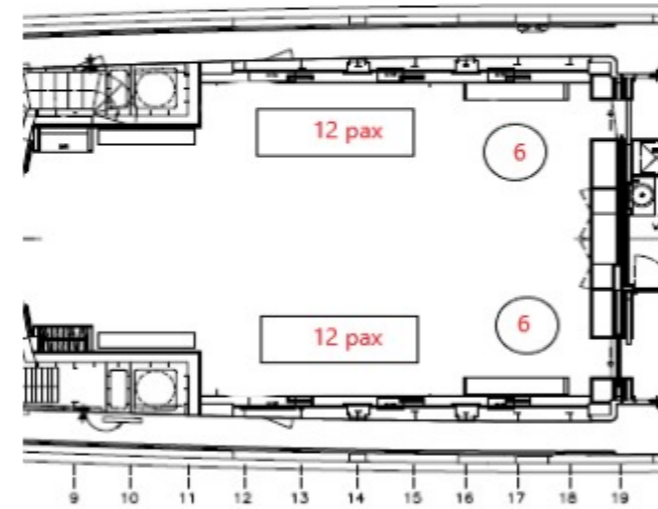
Main deck cocktail style - Existing furniture/removable

# MAIN SALOON.

Style	Capacity
Seated	36 (furniture removal required)
Cocktail	Option to remove furniture and add cocktail tables

MISCHIEF's Main Saloon is a magnificent space to entertain your guests. With lavish white carpets and beautiful Italian marble, your guests will experience the true definition of luxury.

Enjoy up to 36 guests for seated dining on a mix between two king-style tables and round marble tables. Alternatively, you can replace the existing furniture to accommodate a cocktail reception.



Main saloon bar & existing furniture



Main saloon lounge - removable



King tables - lounge has been removed

# MAIN SALOON.



Mirror top dining table



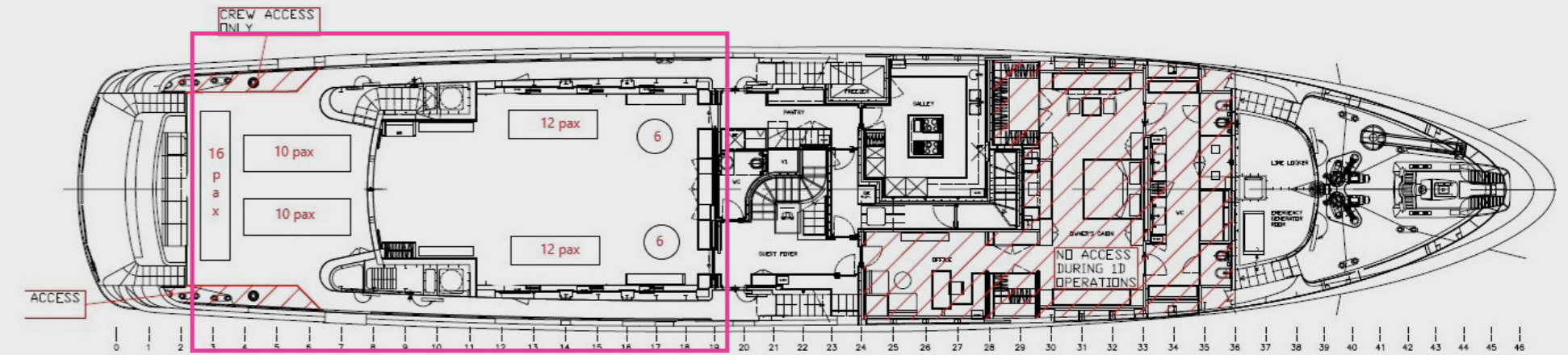
Marble top dining table

These stunning Sabrina Monte-Carlo chairs are a striking feature of the Main Saloon and they can comfortably seat six guests. Alternatively, the seated capacity can be increased to eight guests with ghost style chairs.

The marble tables can be left exposed in their true form, or covered with mirrored tops.

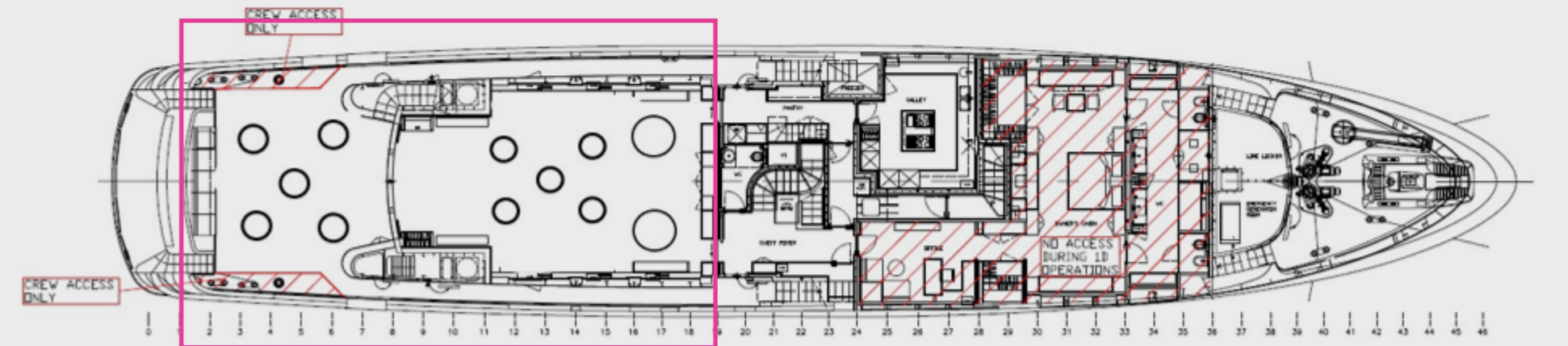
## Level one: Main Deck and Main Saloon

Formal dining layout



## Level one: Main Deck and Main Saloon

Cocktail layout



# BRIDGE DECK.

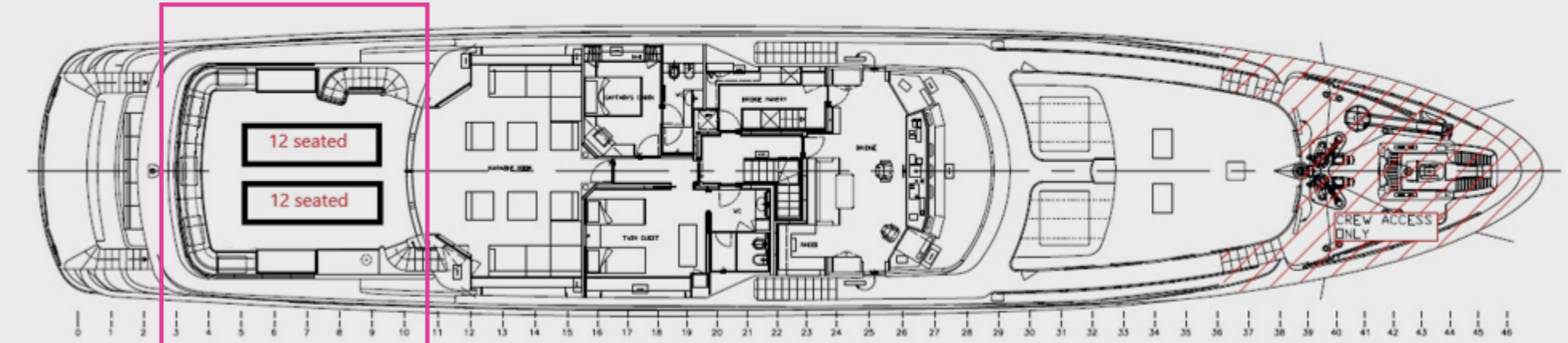
Style	Capacity
Seated	24
Cocktail	Suggested to remove dining chairs and add cocktail tables and clusters of ottomans

The next level up on MISCHIEF is the Bridge Deck, a perfect dining area for luscious grazing displays, live food stations or canapé service. The existing Paola Lenti table can be used as a canvas for displaying your cuisine of choice.

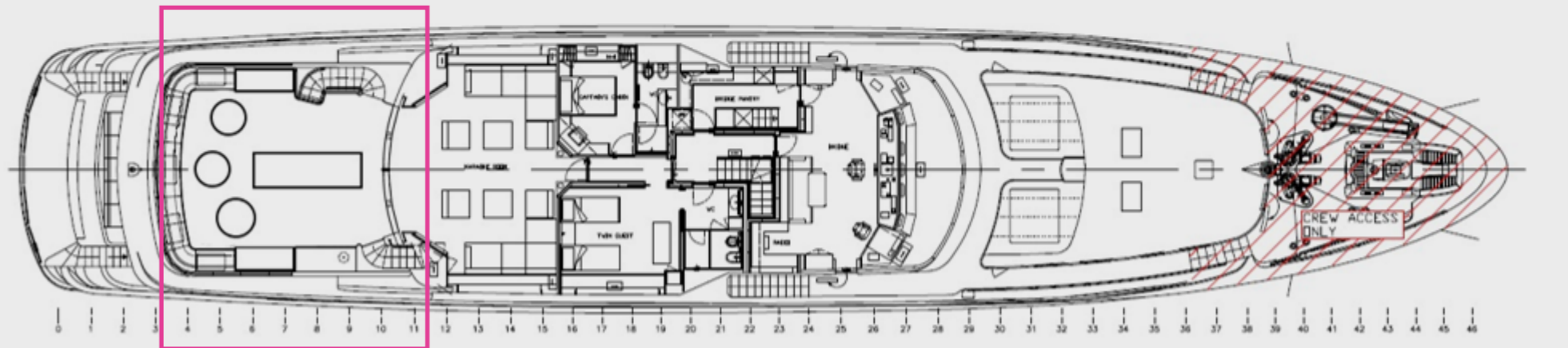
For a more intimate dining experience, the Bridge Deck can host 24 guests over two king tables.



**Level two: Bridge Deck**  
Formal dining layout



**Level two: Bridge Deck**  
Cocktail layout

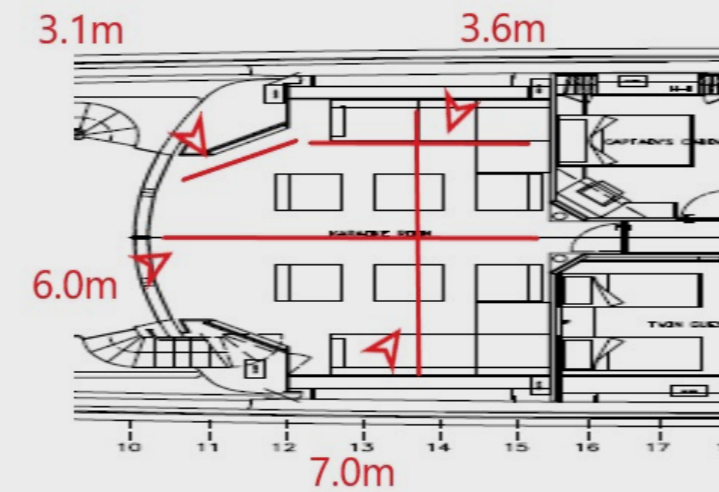
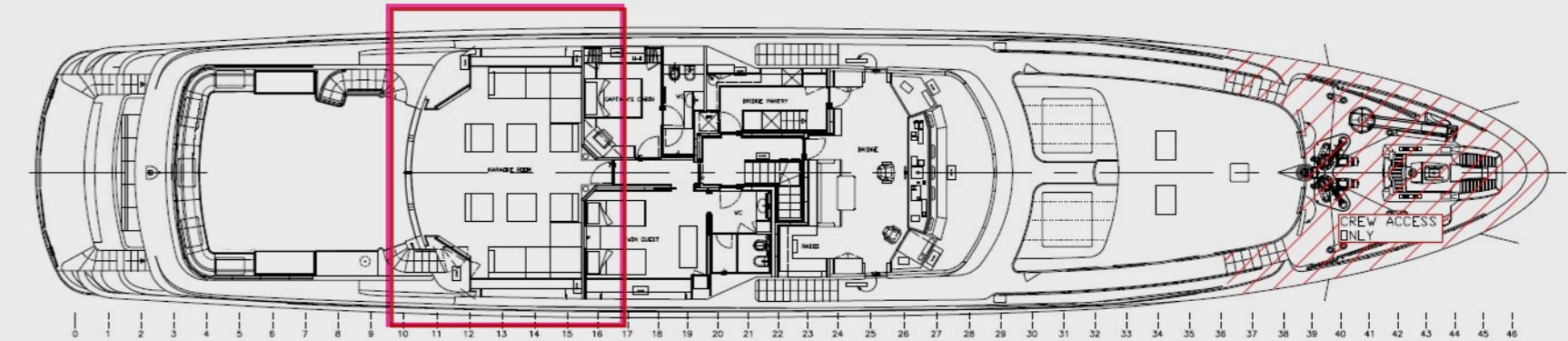


# SKY LOUNGE.

MISCHIEF's interiors are just as special as the exterior – the dramatic use of white reflective surfaces accented with blues and blacks gives her a real sense of identity. The Sky Lounge is no exception and bursts with character, from splashes of colour throughout the playful artwork.

This space connects onto the Bridge Deck for that indoor-outdoor ambiance, but can also be separated with closed doors if required.

MISCHIEF's Sky Lounge is the ideal space for a whiskey or gin bar, bridal powder room, photobooth, or maybe an intimate space for the non-party goers who need that little reprieve!





# SUNDECK.

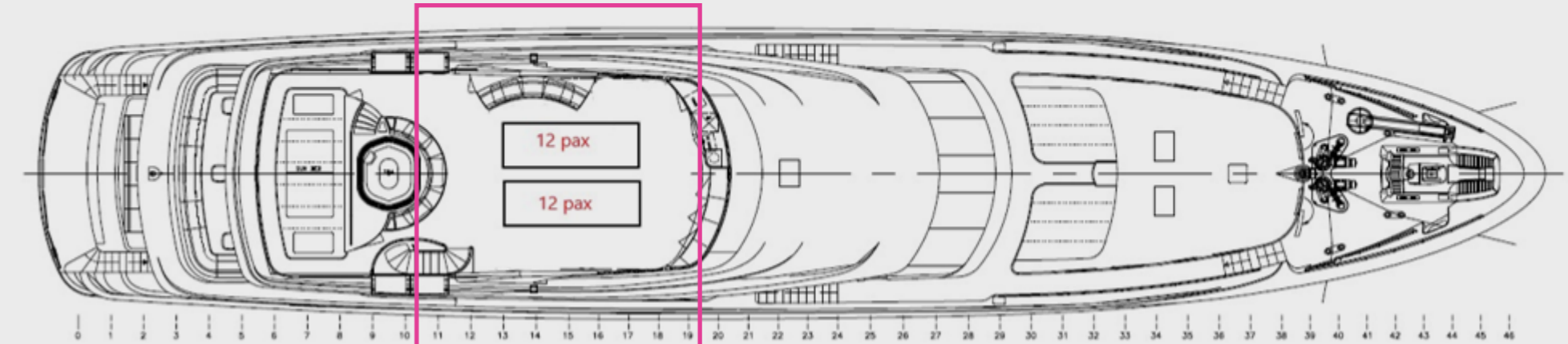
Style	Capacity
Seated	24
Cocktail	Option to remove dining table and add cocktail tables

At the top of MISCHIEF is a little slice of heaven. The Sundeck offers a versatile space that many event planners search all over Sydney for. The open deck allows an opportunity to create different set ups throughout your wedding. Cocktail Bar? Ceremony? Dancefloor? The options are endless...

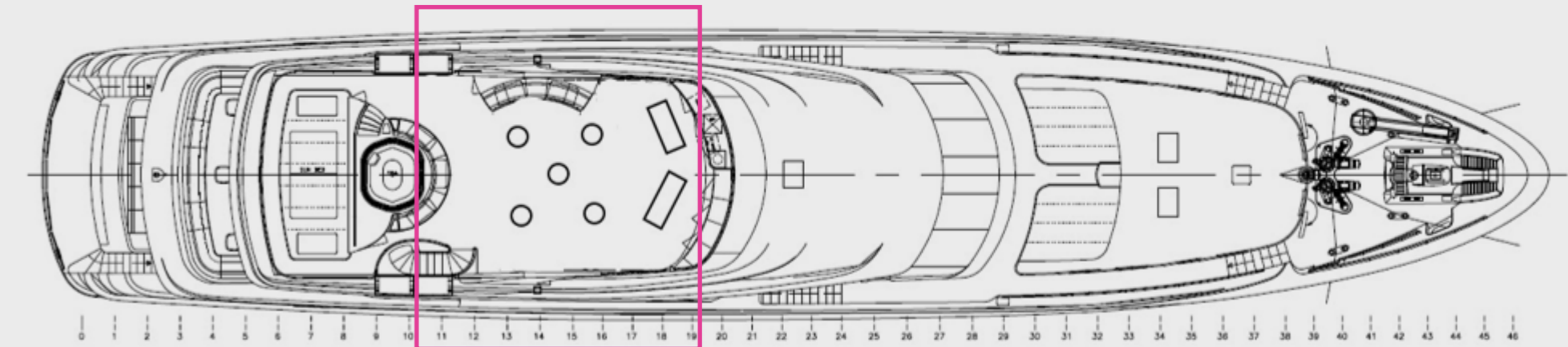
Begin your special day on the Sundeck with a weatherproof ceremony for your close friends and family, then convert the space into a dancefloor and cocktail bar, including a jacuzzi filled with bottles of champagne. Alternatively, this space allows for an intimate dining setting for up to 24 guests.



**Level three: Sundeck**  
Formal dining layout



**Level three: Sundeck**  
Cocktail layout



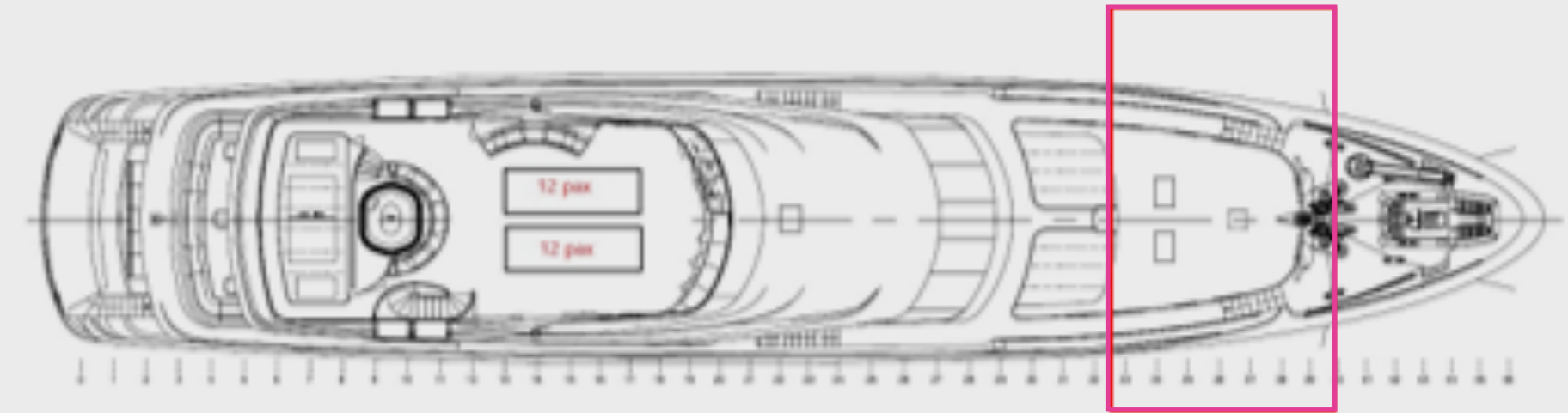
# BOW.

Your first dance is special but having your first dance under the stars on the Bow of a 54m (177ft) superyacht is extraordinary!

This beautiful open space allows your guests to gather around you in a circle to witness this spectacular moment. Looking for that extra sparkle? Add a display of fireworks around you to make it a magical moment.



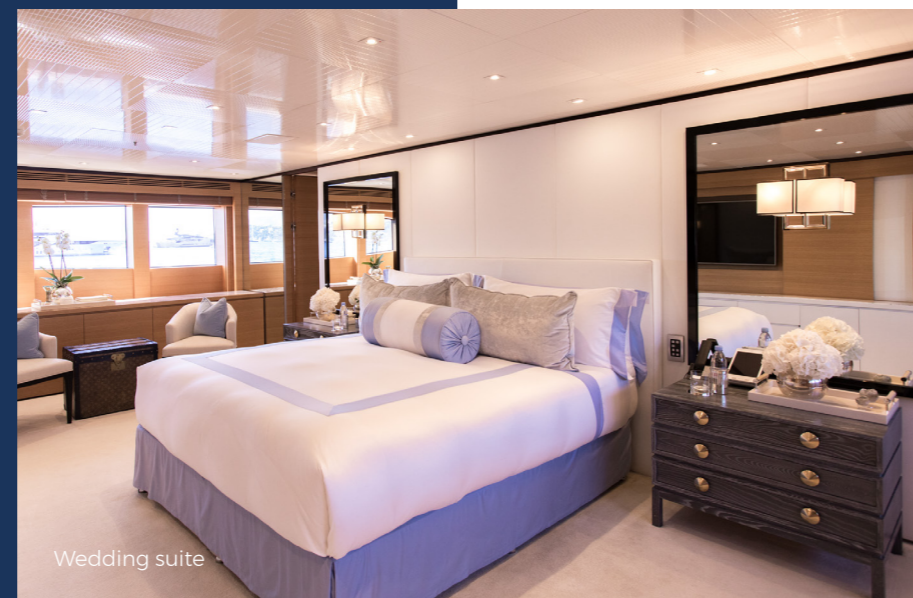
**Level three: Bow**  
Dance floor location



# RATES & PACKAGES

**Yacht Hire:** \$66,000  
4 hours | 50 guests  
\$16,500 per additional hour

**Waitstaff:** \$350 per staff member  
1 staff: 10 guests | 4 hours  
\$75 per additional hour



## Yacht Hire inclusions

- 4-hour vessel hire
- Menu tasting for wedding couple
- 50ft tender TROUBLE, at your disposal for the duration of your event
- Italian marble dining tables
- 12 king chairs by Sabrina Monte-Carlo
- Stunning Paola Lenti dining table and chairs for up to 12 guests
- Unique furniture designed by Blainey North
- Built-in state-of-the-art AV system
- Wireless PA system for speeches
- Full day bump-in
- Professional events team
- 12 experienced yacht crew to assist with set up
- Access to private wedding suite
- Yacht inspections





Confetti gun

# TAKE YOUR EVENT TO THE NEXT LEVEL.

Item (*additional charges may apply)	Price
MISCHIEF overnight stay - wedding couple with champagne breakfast	\$82,500
CHAOS overnight stay - wedding couple with champagne breakfast	\$18,000
Menu tasting - additional guests	\$125 per person
King tables - white gloss	\$450 per table
Ghost chairs	\$10 per chair
Tiffany chairs	\$10 per chair
Chanel chairs	\$10 per chair
DJ	\$1400 for 4 hours, \$275 per additional hour
Saxophone solo	\$1200 for 4 hours, \$200 per additional hour
Electric fireworks	\$690 per 4 fireworks
Dry ice	\$690, \$275 as an add on to fireworks
Confetti gun	\$565 initial shot, \$65 per additional shot
CO2 gun	\$550 initial shot, \$90 per additional shot (30 seconds)
Chandeliers	\$690 - \$1065
Decal back of the boat (personalised)	\$625 per decal
Furniture removal	POA



Personalised decal

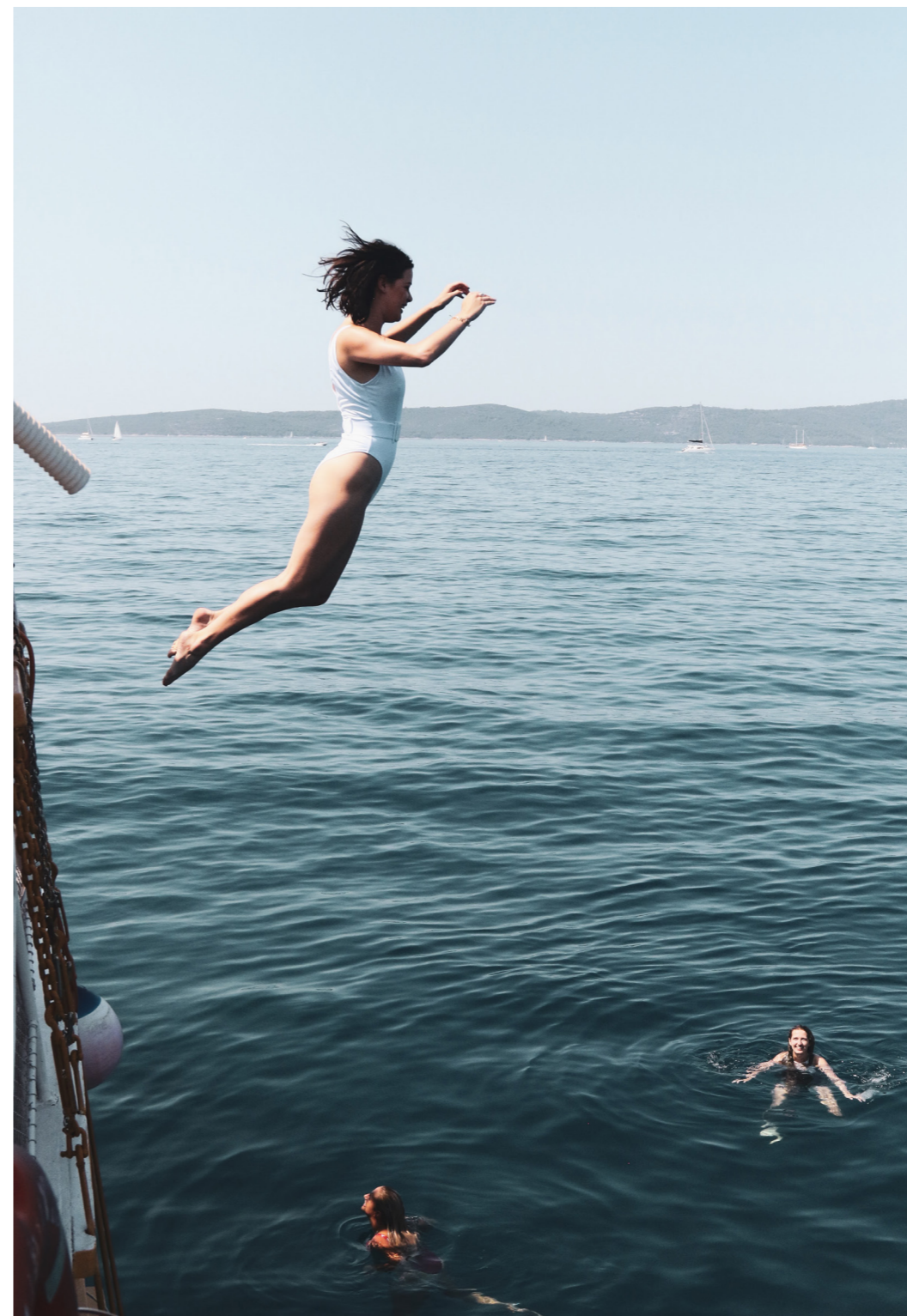


Chandelier Installation

# LEADING UP TO THE BIG DAY

You deserve it all... Ahoy Club look after 100 yachts on Sydney Harbour, so why not host all of your pre and post wedding celebrations, Superyacht style. Our day charters start from \$8,000 and are suitable for any occasion.

- Proposal
- Engagement Party
- Hen's party or Bucks party
- Bridal Shower or Kitchen tea
- Beauty Preparation Day
- Recovery Day
- Honeymoon
- Baby Shower



# APPENDIX I.I

## Cocktail style: sample run sheet (4 hours)

Time	Task
9:00AM	BUMP IN - 12 x MISCHIEF crew remain at your disposal.
5:00PM	Guests arrive at Jones Bay Wharf and are greeted with a glass of French Champagne.
5:15PM	MISCHIEF cruises to anchor. Suggested anchor locations: Farms Cove or Taronga Zoo for a stunning backdrop of the Sydney Harbour Bridge and Opera House A bespoke menu of canapés and matching beverages are served.
5:30PM	Wedding party arrive in style via TROUBLE tender.
6:00PM	Speeches and formalities.
6:30PM	Substantial canapés are served.
7:00PM	Cutting of the cake.
7:15PM	Wedding dance, dessert station set up by chefs.
7:30PM	Guests ushered to Sundeck for evening entertainment and dancing.
8:45PM	MISCHIEF back to Jones Bay Wharf.
9:00PM	Guests depart.

# APPENDIX I.2

## Formal dining: sample run sheet (6 hours)

Time	Task
9:00AM	BUMP IN - 12 x MISCHIEF crew remain at your disposal.
5:00PM	Guests arrive at Jones Bay Wharf and are greeted with a glass of French Champagne. Cocktail bar open. Guests mingle on bridge deck.
5:15PM	MISCHIEF cruises to anchor. Suggested anchor locations: Farms Cove or Taronga Zoo for a stunning backdrop of the Sydney Harbour Bridge and Opera House. A bespoke menu of canapés and matching beverages are served.
5:30PM	Wedding party arrive in style via TROUBLE tender. Roving drinks and canapé service continues.
6:00PM	Guests invited to sit for dinner. MC welcomes guests.
6:15PM	First course served.
6:30PM	First set of speeches.
6:45PM	First course cleared. Main plates set.
7:00PM	Main course served.
7:15PM	Second set of speeches.
8:00PM	MC to announce couple's toast and cake cutting.
8:30PM	MC requests all guests to move to the bow for first dance.
8:50PM	Dessert station open and roving drinks service with Sundeck bar open.
9:00PM	Entertainment and dancing on Sundeck.
10:45PM	MISCHIEF back at Jones Bay Wharf.
11:00PM	Guests depart.